

Knife Gate Valve

Introduction:

Knife Edge Gate Valve is one of the specific designs among other Industrial Valves. This design ensures minimum contact between the parts of the valve, Reduces the Wear & Tear. The high performance Knife Gate Valves feature. Non Sliding Motion, Avoid Sliding Contact between Body & Gate allow flushing of media form the valve interior. Batten edge of the Gate (Knife-Edge) allows the tight shut off even when solid particles settles at the bottom of the Body. A wide variety of hardened trim options are available on Gate, Seat and Wear Ring. Knife Gate Valve are Generally Unidirectional Valves, Excellent Hopper Isolation Valves with their ability to cut through flowing media and closed by dislodging any material in the seating area. Knife-Edge Gate Valves withstand high Temperature & Abrasive Slurries in Mining, Steel, Power, Chemical, and Paper Industries ideal for high-density Slurry Lines.



Specification:

TYPE :	Uni-directional / Bi-directional Knife Edge Gate Valve
MOC :	Cast Iron / Cast Steel / SS 304 / 316 / 304L / 316L. Body: Cast Corrosion resistant steel or cast iron to provide receptivity against corrosion For all wetted parts Gate: The Stainless steel knife gate plate is precision-buffed on both sides, to enhance Packing life and ensure positive shut off even heavy or high-viscous fluid. Stem: Stainless steel or as desire, having double start thread rising / non-rising spindle, For fast closing and opening. Seat: Renewable Metal-to-Metal, replaceable type, soft seat and other Suitable to application. In addition to standard stainless steel seat ring, rubber ring and Teflon seat rings are Available as options. Gland Packing: Multi layer gland packing in a variety of materials to suit condition provides total sealing.
Port :	Round Port, "V" Notch
END CONNECTION :	Flanged End / full Lugged, Wafer Flangeless, Two Lug, Wafer Flangeless, Flange Type, Wafer
SIZES :	50mm TO 800mm (higher size on application)
RATING :	10 bar up to 600mm for valves with body in C.S., S.S. and specially alloy, 10 bar Up to 300mm & 5 bar on higher sizes up to 600mm with body in Cast Iron / Ductile Iron.
Drilling :	Option Include ANSI, DIN, BS, JIS and AS standard; others on request
OPERATION AVAILABLE :	Knife edge Gate Valves Operation - Manual, Cylinder Operated, Electrical Actuator, Pneumatic Actuator with Manual Override.
Actuator:	Hand Wheel, Chain wheel, Bevel Gear hand wheel or chain wheel, Pneumatic Double Acting cylinder and electric actuator.

Actuator:

Instruments & Systems offers different types of Cylinder Actuator suitable for Knife Gate & Slide Gate Valve. Flow-age Cylinder Actuator is a double acting design and is available in a wide range of cylinder diameter and stroke lengths.

- Standard cycle duty Air cylinder up to 8 bar rated
- Specially design for high cycle duty Air cylinder up to 15 psi rated
- Specialized Heavy duty Hydraulic cylinder up to 210 bar rated

Type: Double Acting

Cylinder Size Range: 65 to 400mm and other respected to service condition

Rating: Suitable for normal operation with Air supply up to 8 bar. Cylinder tube tasted at 20 bar

Speciation:

Cylinder Tube – Aluminum/MS Hard Chrome Orange Color

Piston – MS Machined

Piston Seals- Neoprene Rubber

Piston Rod – Steel with Hard Chrome Plated (Others available on request)

Piston Rod Seal - Neoprene Rubber

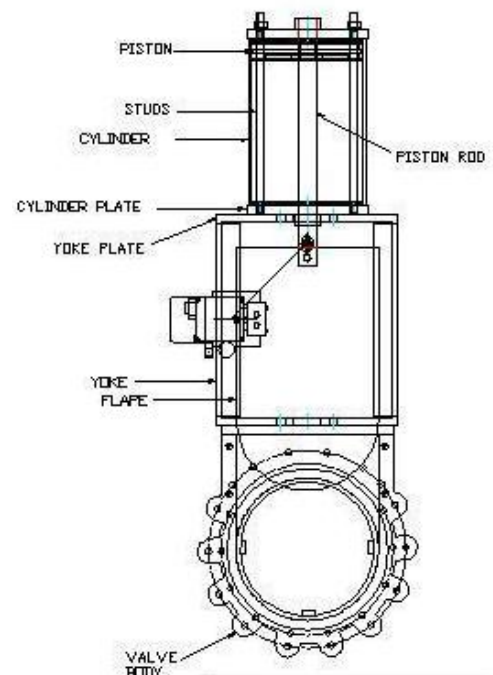
Top & Bottom end Cap – Cast Iron with Black Color Double Powder Coated

Tie Rods – Steel

Air Connection – ¼" To 1" NPT (F)

Accessories:

- Manual Over Ride
- Solenoid Valve
- Air Filter Regulator
- Limit Switches
- Pneumatic/Electro-pneumatic Positioners
- Companion Flanges



Instruments & Systems

Valve Automation & Control Technology

30, Mohabewala Industrial Area

Dehradun-248002, INDIA

www.instruments-systems.in